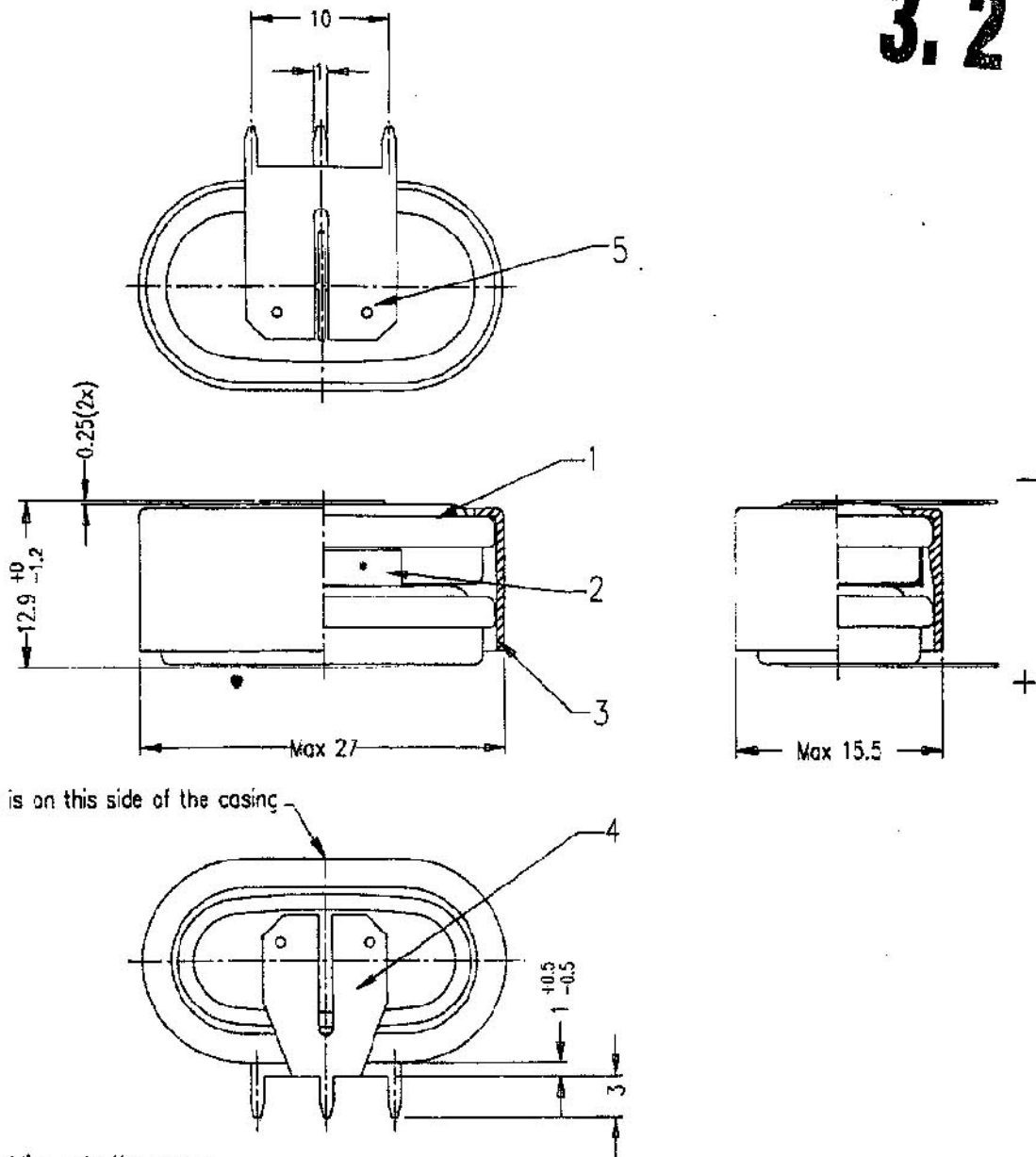


# 3.2



Printing is on this side of the casing

- Note: 1) No welding onto the groove  
 2) For typical PCB-application we recommend to use VARTA-Mempac batteries

Approximate weight of battery : 12.4g

No.	Alterations:	Date:	Name:	Dimensions in mm	Material:
				Tolerance: DIN 7168 Medium	Refer to part list no: 070926
				Projection:	Description:  2/V150H battery with snap-on plastic casing & solder tags
				Scale: 2 : 1	
				Date: Name:	
				Prepared: 1997-09-23 A.P.ANG	
				Approved: 1998-	
RIGHTS RESERVED TO MAKE TECHNICAL CHANGES, AS A RESULT OF FURTHER DEVELOPMENT, WITHOUT NOTICE. THIS DRAWING IS THE PROPERTY OF VARTA BATTERIES PTE LTD AND MUST NOT BE COPIED OR DISCLOSED TO A THIRD PARTY WITHOUT THE WRITTEN CONSENT OF VARTA BATTERIES PTE LTD.					Dwg. No: 070926 400
					VKB Order No: 55615 602 059
Distribution: 0, 1, 1.1, 1.2, 1.2.1, 2.1, 2.1.1, 2.1.4, 2.1.6, 2.1.7, 2.1.8, 2.2.1, 2.3, 3, 3.2, 4, 5, 5.1, 5.1.1, 5.2, 5.4, 5.5, 5.6, 5.6.1, 5.7, 5.8, 5.9					Orig. No: